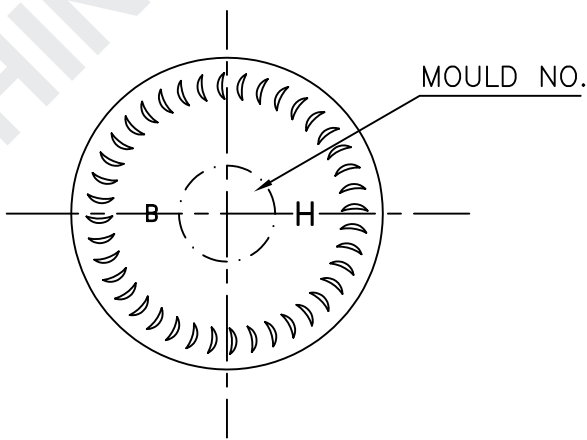
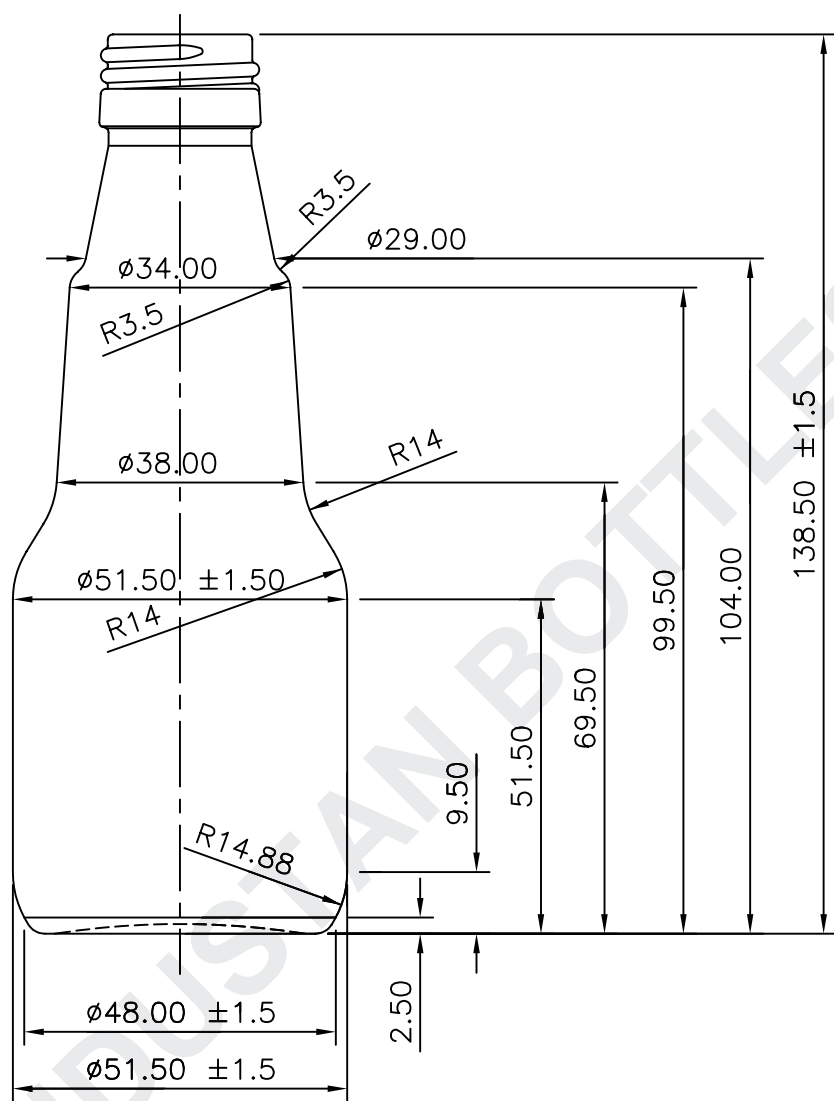


CUST.: M/S GENERAL MARKET	BOTTLE CAPACITY IN ML.		WT. 135 Gms. ± 10Gms.	
	FILL POINT	BRIMFUL		
JOB. 100 ML. BRUIT BOTTLE	ml. ± ml.	130 ml. ± 5 ml.	VACUITY	m.m.

FINISH :- 25 MM. R.S.P.P STD.



COLOUR :- AMBER

NOTE:- DIMENSION & TOLERANCES SHOWN ARE MODEL PURPOSE & ARE LIABLE FOR ALTERATION WHEN DETAIL IS WORKED OUT.	DRAWING APPROVED	DATE: 11.09.99	DRAWN Rajesh
		SCALE- 1:1	CKD.
REVISION	CUSTOMER'S SIGNATURE	COLOUR: AMBER	APPD.
		COMPUTER.CODE NO. 0688PF	
HINDUSTHAN NATIONAL GLASS & INDS. LTD. B.GARH		DRG.NO.W/AMB/B/2052	